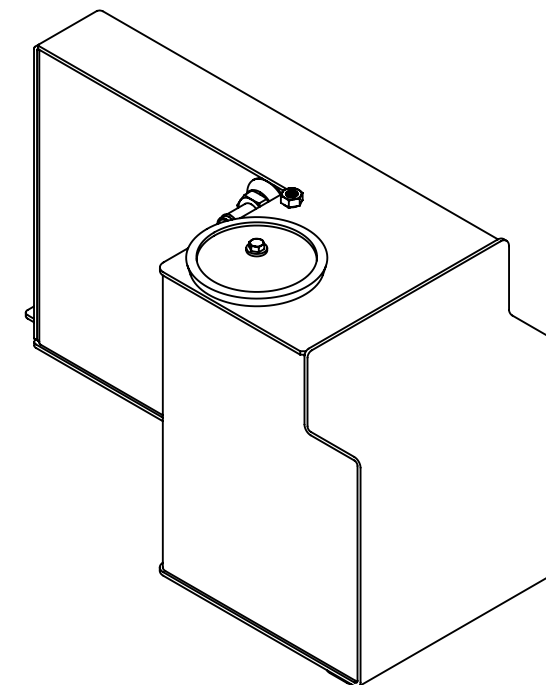
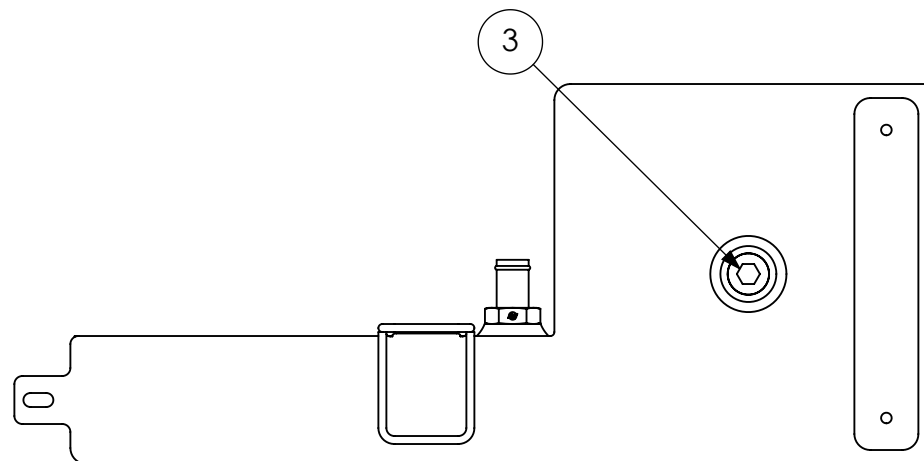
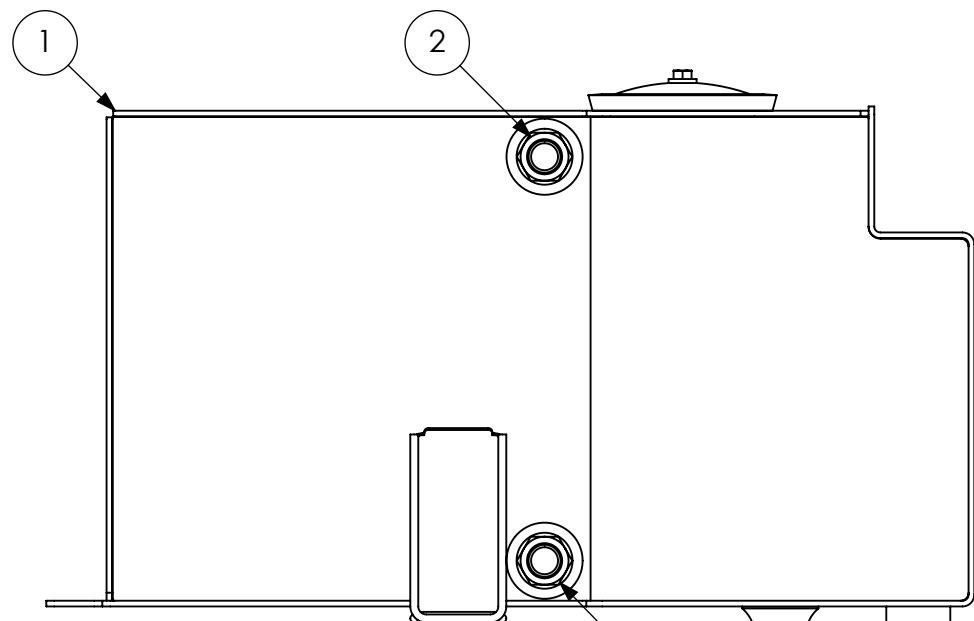
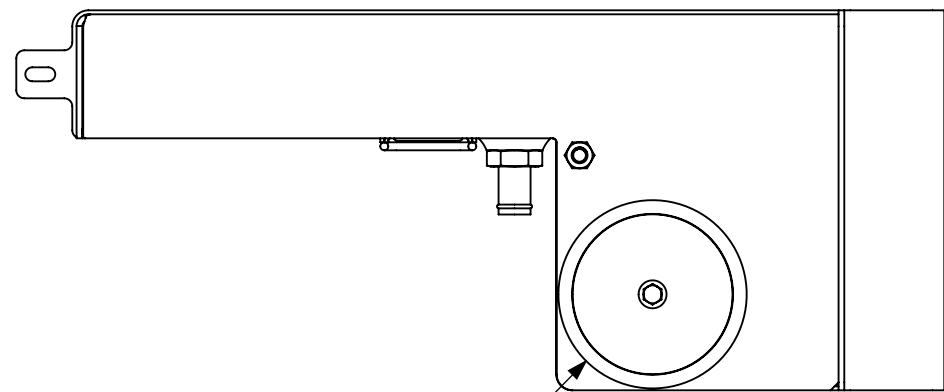


REVISIONS					
ECN	REV	DESCRIPTION	ZONE	BY	DATE
30382	A	NEW RELEASE		JDS	3/28/2024
32169	B	REPLACE (2) FS6400-16-16-O WITH (2) 4604-16-16-ORB	H7	JDO	4/14/2025

ITEM NO.	PART NUMBER	QTY	DESCRIPTION
1	1029593	1	WELDMENT, FUEL TANK, AUXILIARY, 8680
2	4604-16-16-ORB	2	FITTING, STRAIGHT, -16HB / -16 O-RING
3	1011971	1	PLUG, MAGNETIC DRAIN, -16 SAE ORB
4	1006804	1	ACCESS PORT, HYDRAULIC TANK



SECTION A-A

NOTES:

1.

FINISH PER LEEBOY SPECIFICATION DRAWING 1014877																			
GENERAL FABRICATION TOLERANCE - INCH					SURFACE: 250					GENERAL MACHINING TOLERANCE					SURFACE: 125				
>	0.000	3.000	12.000	24.000	48.000	96.000	120.000	240.000	0.000	1.000	3.000	6.000	12.000	36.000					
≤	3.000	12.000	24.000	48.000	96.000	120.000	240.000	~	1.000	3.000	6.000	12.000	36.000	~					
±	0.015	0.031	0.063	0.094	0.125	0.188	0.250	0.500	0.005	0.010	0.015	0.031	0.063	0.094					
ANGLE	±0.5°		±1.0°		±2.0°		±3.0°		±0.1°		±0.3°		±0.5°						

DIMENSIONS ARE IN INCHES UNLESS OTHERWISE SPECIFIED

DIMENSIONS APPLY TO FINISHED PART. ROUGH CUTS MUST INCLUDE APPROPRIATE STOCK ALLOWANCE FOR MACHINED PARTS.

(REFERENCE DIMENSIONS)

REFER TO TABLES FOR GENERAL TOLERANCES

SHEET SCALE: 1:6



ST ENGINEERING LEEBOY, dba LEEBOY
500 LINCOLN COUNTY PARKWAY EXT
LINCOLNTON, NC 28092

APPROVALS	DATE
DRAWN BY JDS	02/23/2024
CHECKED BY TWJ	04/16/2025

INFORMATION CONTAINED ON THIS DRAWING IS THE SOLE PROPERTY OF LEEBOY. ANY REPRODUCTION IN PART OR WHOLE WITHOUT THE WRITTEN PERMISSION OF LEEBOY IS PROHIBITED

THIRD ANGLE PROJECTION

1029592	
ASSEMBLY, FUEL TANK, AUXILIARY, 8680	
PAVER / MULTIPLE	REV B
SHT 1 OF 1	PART WEIGHT: 85.58 LBS