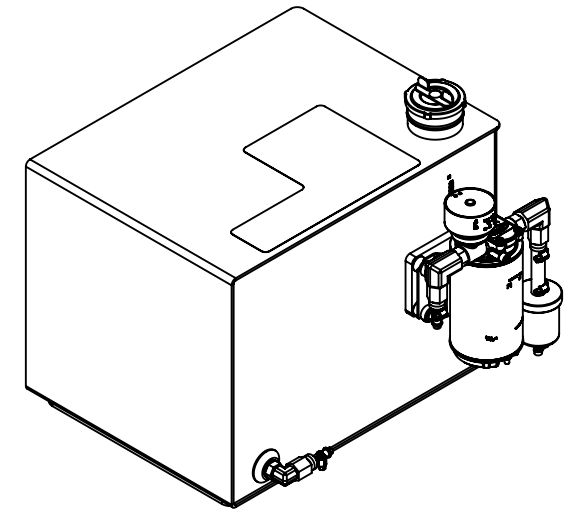
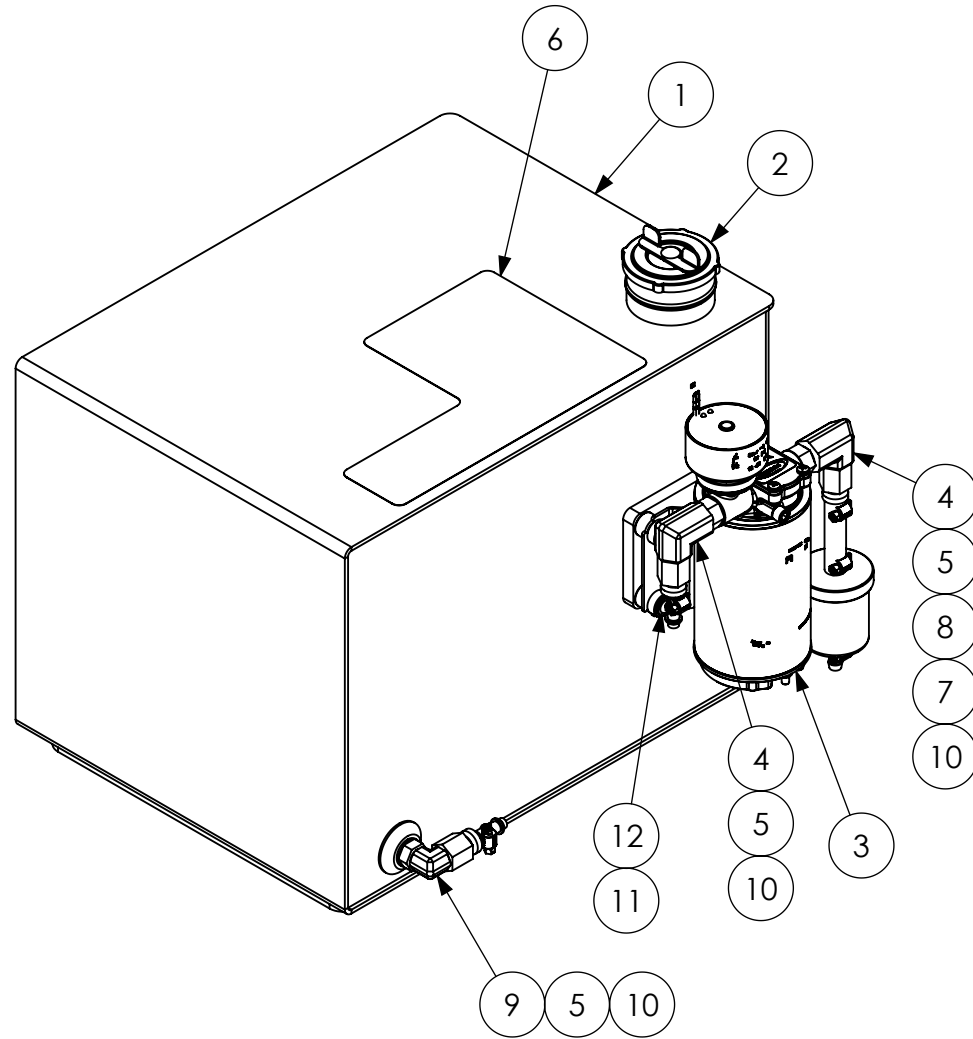


REVISIONS					
ECN	REV	DESCRIPTION	ZONE	BY	DATE
27701	A	NEW RELEASE		JDS	12/2/2022

ITEM NO.	PART NUMBER	QTY	DESCRIPTION
1	1027179	1	WELDMENT, CITRUS TANK, 8680
2	330020	1	CAP,FUEL TANK
3	1015438	1	PUMP, SPRAY DOWN, MARCO UP9/E, W/ PRESSURE SWITCH
4	2502-6-6	2	ADAPTER, ELBOW, 90 deg, -6 JIC / -6 NPTF
5	5LOC-6RFJX	3	FITTING, PUSH LOK, -5LOC/-6RFJX
6	1016094	1	DECAL, INSTRUCTIONAL, MARCO SPRAYDOWN PUMP
7	986537-31	1	FILTER,FUEL,IN LINE 8510 & 8515 KUBOTA
8	71812	1	HOSE,05,PUSH-ON,.3125 HOSE
9	6801-6-6 NWO	1	ADAPTER, ELBOW, 90 deg, -6 JIC / -6 O-RING
10	33277	5	CLAMP,HOSE,# 04 .22 - .62
11	300-#10	4	WASHER, FLAT, SAE, #10
12	121-#10-32-16F	4	RHMS, CROSS, #10-32 X 1, FT



NOTES:
1.

FINISH PER LEEBOY SPECIFICATION DRAWING 1014877															
GENERAL FABRICATION TOLERANCE - INCH							SURFACE: 250		GENERAL MACHINING TOLERANCE					SURFACE: 125	
>	0.000	3.000	12.000	24.000	48.000	96.000	120.000	240.000	0.000	1.000	3.000	6.000	12.000	36.000	
≤	3.000	12.000	24.000	48.000	96.000	120.000	240.000	~	1.000	3.000	6.000	12.000	36.000	~	
±	0.015	0.031	0.063	0.094	0.125	0.188	0.250	0.500	0.005	0.010	0.015	0.031	0.063	0.094	
ANGLE	±0.5°		±1.0°		±2.0°		±3.0°		±0.1°		±0.3°		±0.5°		

DIMENSIONS ARE IN INCHES UNLESS OTHERWISE SPECIFIED
DIMENSIONS APPLY TO FINISHED PART. ROUGH CUTS MUST INCLUDE APPROPRIATE STOCK ALLOWANCE FOR MACHINED PARTS.
(REFERENCE DIMENSIONS)
REFER TO TABLES FOR GENERAL TOLERANCES
SHEET SCALE: 1:5



ST ENGINEERING LEEBOY, dba LEEBOY
500 LINCOLN COUNTY PARKWAY EXT
LINCOLNTON, NC 28092

APPROVALS	DATE
DRAWN BY: JDS	11/16/2022
CHECKED BY: SDD	11/08/2023

INFORMATION CONTAINED ON THIS DRAWING IS THE SOLE PROPERTY OF LEEBOY. ANY REPRODUCTION IN PART OR WHOLE WITHOUT THE WRITTEN PERMISSION OF LEEBOY IS PROHIBITED.

THIRD ANGLE PROJECTION SHT SIZE: B

1027178	REV
ASSEMBLY, CITRUS TANK, 8680	A
PAVER / MULTIPLE	
SHT 1 OF 1	PART WEIGHT: 50.55 LBS